



2025

PRODUCT CATALOG

www.magdaddyusa.com | www.dakotasystemsusa.com



MAGDADDY

MAGNETIC FASTENERS & INDUSTRIAL INNOVATION

**DAKOTA
SYSTEMS**

STRUCTURAL SUPPORT SYSTEMS

A DIVISION OF MAGDADDY

ADVANCED INNOVATIONS

THAT EMPOWER INDUSTRIAL
SOLUTIONS

ABOUT US

Who are we?

MagDaddy is the original magnetic cable tie fastener. Established in 2010 as a branch of one of the largest automotive fastener companies in the United States, MagDaddy started out in the automotive after-market, but quickly expanded into more industries as an innovative cable management solution. MagDaddy is now its own standalone company and continuing the tradition of being proudly family owned.

To compliment MagDaddy's innovative products, the Dakota Systems line was developed in 2020. Dakota Systems is an innovative structural support system that fully integrates with standard strut channel. Known for its prefabrication capabilities and time-saving solutions. Dakota Systems is a contractor's best friend due to its ability to reduce labor costs by 10x.

“Creativity is thinking up new things.
Innovation is doing new things.”

Theodore Levitt



TABLE OF CONTENTS

Click to navigate to section

PAGE 2
INTRODUCTION

PAGE 3
TABLE OF CONTENTS

PAGE 4-5
CABLE MANAGEMENT

PAGE 6-7
CABLE TIE MOUNTS

PAGE 8-9
CABLE HOLDERS

PAGE 10-11
BRIDLE RINGS

PAGE 12-13
J-HOOKS & D-RINGS

PAGE 14-15
CABLE HANGING TOOL

PAGE 16-17
MOUNTING KITS

PAGE 18-19
MOUNTS & ACCESSORIES

PAGE 20-21
STRUCTURAL SUPPORT

PAGE 22-23
SMART-STRUT™

PAGE 24-25
SMART-RECEIVERS™

PAGE 26-27
SMART-CLAMPS™

PAGE 28-29
SMART-CAPS™

PAGE 30-31
SMART-NUT™

PAGE 32-33
CABLE & LADDER TRAY
ACCESSORIES



SEE OUR
PRODUCT LINEUP

**HOW COOL
IS THAT?**



INNOVATIVE CABLE MANAGEMENT SOLUTIONS FOR:

LOW-VOLTAGE INSTALLS, PANEL BUILDS, FACTORY ASSEMBLY,
INDUSTRIAL AUTOMATION MACHINES, TECH SPACES & OEMs

Why Magnets:

Reusable

Lasts 100+ years

Withstands wet, dirty, or oily environments
as well as extreme temperatures

Saves you time and money

Why NOT Adhesive:

NOT reusable

Limited life, depending on
its environment

Can NOT withstand wet, dirty
and oily environments

Breaks easily

Peeling the backs off are tedious
and time consuming



Cable Tie Mounts



PART# 62411 (Black) & 62406 (White)
SMALL MAGNETIC CABLE TIE MOUNT

Magnetic cable tie mounts are reusable and last longer than adhesive, especially when in dirty, wet, or oily environments. **360° rotating mount.**

Operating temperature: -40°- 176° (-40 - 80°C)



PART# 62417 (Black) & 62416 (White)
LARGE MAGNETIC CABLE TIE MOUNT

Magnetic cable tie mounts are reusable and last longer than adhesive, especially when in dirty, wet, or oily environments. **360° rotating mount.**

Operating temperature: -40°- 176° (-40 - 80°C)



PART# 62452
MAGNETIC HOOK & LOOP CABLE TIE MOUNT

Magnetic hook & loop mount works great with velcro straps and are very useful within data centers and communication rooms. **360° rotating mount.**

Operating temperature: -40°- 176° (-40 - 80°C)



PART# 62455
MINI MAGNETIC CABLE TIE MOUNT

The “mini mag” tie mount is useful for tight areas where you need cables or wires secured. Alternative to a 1/2 inch adhesive tie mount.

Operating temperature: -40°- 176° (-40 - 80°C)



Cable Tie Mounts



PART# 62422

MAGNETIC CABLE TIE PIPE MOUNT

This product is great for managing loose cabling along pipes.
360° rotating mount.

Operating temperature: -40°- 176° (-40 - 80°C)



PLENUM
RATED



ENGINEERED TO HAVE ZERO INTERFERENCE

TIE MOUNT-

SINGULAR TIE MOUNT FOR QUICK USABILITY,
ROTATES 360° AND KEEPS CABLES/WIRES
AWAY FROM ANY INTERFERENCE.



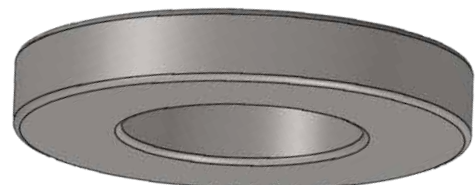
STEEL CUP-

ACTS AS AN INSULATOR TO THE MAGNETIC
FIELDS, RESISTING INTERFERENCE.



NEODYMIUM MAGNET-

ULTRA-STRONG MAGNET THAT CAN WITH-
STAND RUGGID CONDITIONS AND HAS A
LASTING MAGNET LIFE OF 1,000 YEARS.



Cable Holders



PART# 62409 (Black) & 62401 (White)
1/2" MAGNETIC CABLE HOLDER

Magnetic cable holder are perfect for office spaces, warehousing, and automation machines.

360° rotating mount.

Operating temperature: -40°- 176° (-40 - 80°C)



PART# 62419 (Black) & 62413 (White)
3/4" MAGNETIC CABLE HOLDER

Magnetic cable holder are perfect for office spaces, warehousing, and automation machines.

360° rotating mount.

Operating temperature: -40°- 176° (-40 - 80°C)



PART# 62421 (Black) & 62415 (White)
1" MAGNETIC CABLE HOLDER

Magnetic cable holder are perfect for office spaces, warehousing, and automation machines.

360° rotating mount.

Operating temperature: -40°- 176° (-40 - 80°C)



PART# 62450
1/2" MAGNETIC CABLE CLAMP

Magnetic cable clamp works well with thick cables, hosing, or piping that needs to be secured. **360° rotating mount.**

Operating temperature: -40°- 176° (-40 - 80°C)

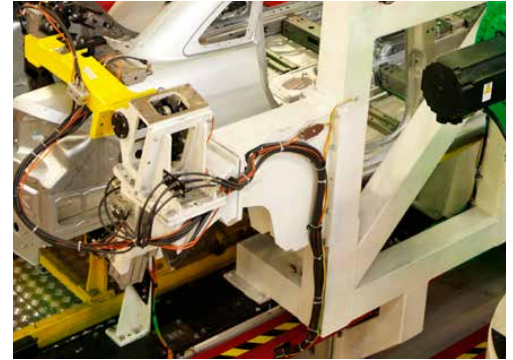




WAREHOUSING



OFFICE SPACES



AUTOMATION MACHINES

PREVENT HAZARDS AND DECLUTTER

ARM HOLDERS-

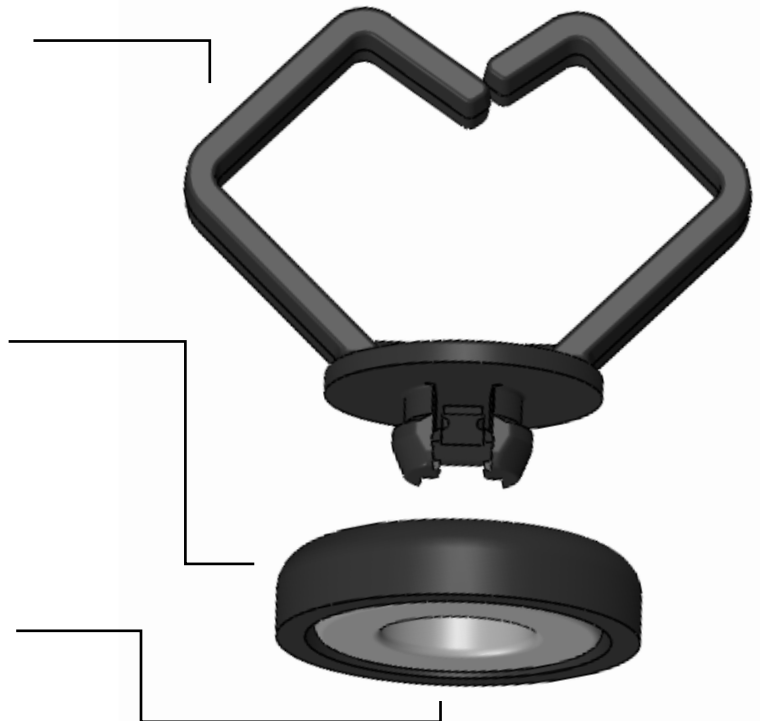
STURDY HOLDING POWER TO SECURE THICK MACHINERY CABLES, HOSES OR EVEN SMALL WIRE BUNDLES.

STEEL CUP-

ACTS AS AN INSULATOR TO THE MAGNETIC FIELDS, RESISTING INTERFERENCE.

NEODYMIUM MAGNET-

ULTRA-STRONG MAGNET THAT CAN WITHSTAND RUGGID CONDITIONS AND HAS A LASTING MAGNET LIFE OF 1,000 YEARS.



ROUTE YOUR CABLES FASTER!

NO TOOLS, NO DRILLING & NO HARDWARE REQUIRED



PERFECT FOR:

- Low-Voltage Cabling
- Open Ceiling Cabling
- Temporary Lighting



Magnetic cable management products prevent surface damage, making them ideal for temporary setups or leased spaces.

Bridle Rings



PART# BRM75

3/4" MAGNETIC BRIDLE RING 10-24

Pre-assembled magnetic bridle rings.
No tools or beam clamps required.
Reuse and reposition as needed.



PLENUM
RATED



PART# BRM4T125

1-1/4" MAGNETIC BRIDLE RING

Pre-assembled magnetic bridle rings.
No tools or beam clamps required.
Reuse and reposition as needed.



PLENUM
RATED



PART# BRM4T200

2" MAGNETIC BRIDLE RING

Pre-assembled magnetic bridle rings.
No tools or beam clamps required.
Reuse and reposition as needed.



PLENUM
RATED



PART# BRMS200 & BRMS200R

2" MAGNETIC BRIDLE RING w/ SADDLE

Pre-assembled magnetic bridle rings.
No tools or beam clamps required.
Reuse and reposition as needed.



PLENUM
RATED

J-hooks & D-rings



PART# JH12MT

3/4" MAGNETIC J-HOOK, TOP MOUNT

Pre-assembled heavy-duty magnetic j-hooks. No tools or beam clamps required.

J-hook holds 17lbs.

Retaining straps included.



PART# JH12MS

3/4" MAGNETIC J-HOOK, SIDE MOUNT

Pre-assembled heavy-duty magnetic j-hooks. No tools or beam clamps required.

J-hook holds 17lbs.

Retaining straps included.



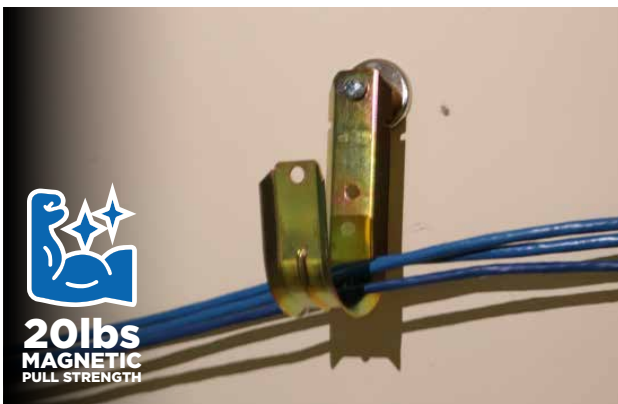
PART# JH21MT

1-5/16" MAGNETIC J-HOOK, TOP MOUNT

Pre-assembled heavy-duty magnetic j-hooks. No tools or beam clamps required.

J-hook holds 17lbs.

Retaining straps included.



PART# JH21MS

1-5/16" MAGNETIC J-HOOK, SIDE MOUNT

Pre-assembled heavy-duty magnetic j-hooks. No tools or beam clamps required.

J-hook holds 17lbs.

Retaining straps included.



J-hooks & D-rings



PART# JH32MT

2" MAGNETIC J-HOOK, TOP MOUNT

Pre-assembled heavy-duty magnetic j-hooks. No tools or beam clamps required.

J-hook holds 17lbs.

Retaining straps included.



PLENUM RATED



PART# JH32MS

2" MAGNETIC J-HOOK, SIDE MOUNT

Pre-assembled heavy-duty magnetic j-hooks. No tools or beam clamps required.

J-hook holds 17lbs.

Retaining straps included.



PLENUM RATED



D-rings



PART# MDR300

3" MAGNETIC D-RING

Industrial magnetic d-rings.



PLENUM RATED



PART# MDR500

5" MAGNETIC D-RING

Industrial magnetic d-rings.



PLENUM RATED



CABLE HANGING TOOL

LADDER OR LIFT JUST NOT TALL ENOUGH?

Quickly hang magnetic j-hooks & bridle rings

Hang cables up high, when you're down low

Attaches to extension poles, green poles or 1/4" rod



PART# 62499
CABLE HANGING TOOL

HUGE TIME SAVER!



PCB Standoff Mounting Kits



PART# PCBM700T

MAGNETIC PCB STANDOFF w/ M3 THREADED NYLON HEX SPACER

Allows panel builders and technicians to easily position, reposition, add or remove hardware from their installations. Provides quick repair access.

Kit includes (hardware for 3 boards):

- 12 magnetic mounts
- 12 nylon hex spacer
- 12 M3x 0.5 phillips flat head screws



PART# PCBM100

MAGNETIC PCB STANDOFF w/ BAYONET SNAP LOCK STANDOFFS

Allows panel builders and technicians to easily position, reposition, add or remove hardware from their installations. Provides quick repair access.

Kit includes (hardware for 3 boards):

- 12 magnetic mounts
- 12 bayonet snap lock spacers
- 12 6-32 x 3/8" phillips flat head screws



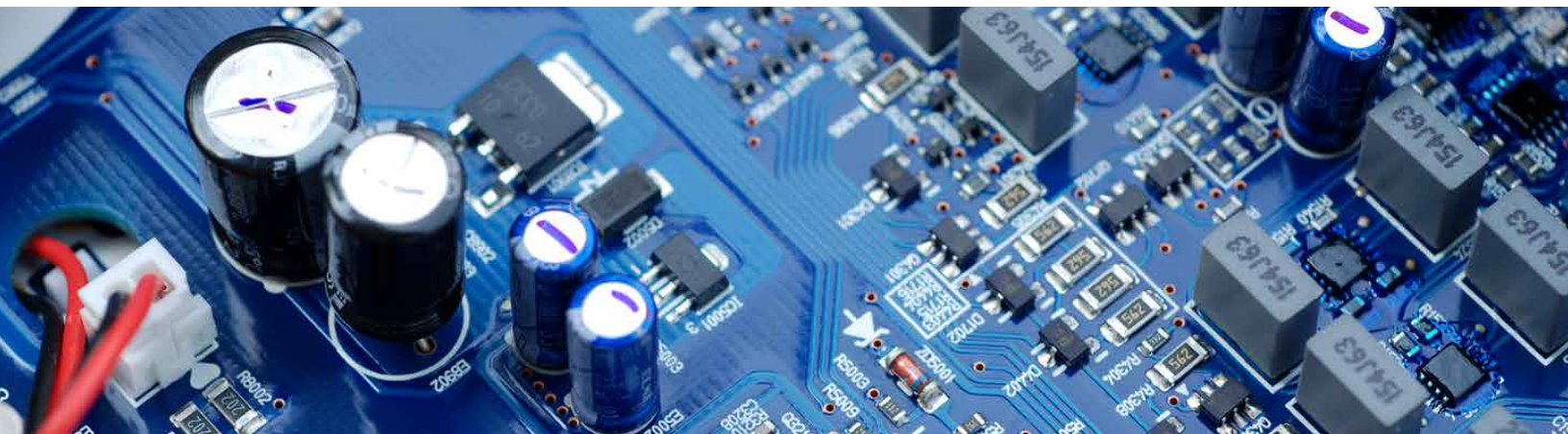
PART# PCBM1903F

MAGNETIC PCB STANDOFF w/ 5/8" NYLON HEX SPACER

Allows panel builders and technicians to easily position, reposition, add or remove hardware from their installations. Provides quick repair access.

Kit includes (hardware for 3 boards):

- 12 magnetic mounts
- 12 nylon hex spacers
- 12 6-32 x 3/8" phillips flat head screws



Threaded Magnet Mounting Kits



PART# MM100

10-32 THREAD SIZE MAGNET MOUNT KIT

Threaded magnetic mounts and necessary hardware to mount security cameras or access points to ceiling grids or walls when applicable.

Kit includes:

- 3 neodymium magnets
- 3 #10 nut
- 3 1" screws
- 3 3/4" screws



PART# MM200

10-24 THREAD SIZE MAGNET MOUNT KIT

Threaded magnetic mounts and necessary hardware to mount security cameras or access points to ceiling grids or walls when applicable.

Kit includes:

- 3 neodymium magnets
- 3 1/2" screws
- 3 3/8" screws



PART# MM600

6-32 THREAD SIZE MAGNET MOUNT KIT

Threaded magnetic mounts and necessary hardware to mount security cameras or access points to ceiling grids or walls when applicable.

Kit includes:

- 3 neodymium magnets
- 3 1/2" screws
- 3 3/8" screws



PART# MM300 & MM400

KEYHOLE MAGNET MOUNT KIT

MM300 - 0.25" screw head diameter
MM400 - 0.345" screw head diameter
Scratch-resistant & Weather-resistant

Kit includes:

- 4 neodymium rubber magnets
- Arrives pre-assembled and ready-to-use



Threaded Magnet Mounts



PART# MAGTF
10-24 FEMALE THREADED MAGNET MOUNT

Attach a wide range of objects securely without drilling holes or using adhesives, preserving the integrity of surfaces.



PART# MAG4TF
1/4"-20 FEMALE THREADED MAGNET MOUNT

Attach a wide range of objects securely without drilling holes or using adhesives, preserving the integrity of surfaces.



PART# MAGTF6
6/32 FEMALE THREADED MAGNET MOUNT

Attach a wide range of objects securely without drilling holes or using adhesives, preserving the integrity of surfaces.



PART# MAG4TM
6/32 FEMALE THREADED MAGNET MOUNT

Attach a wide range of objects securely without drilling holes or using adhesives, preserving the integrity of surfaces.



Threaded Rubber Magnet Mounts



PART# 75003

1/4"-20 RUBBER COATED FEMALE THREADED MAGNET MOUNT

Attach a wide range of objects securely without drilling holes or using adhesives, preserving the integrity of surfaces.

For indoor and outdoor use.

- Scratch-resistant • Weather-resistant



PART# 75007

3/8-16" RUBBER COATED MALE THREADED MAGNET MOUNT

Attach a wide range of objects securely without drilling holes or using adhesives, preserving the integrity of surfaces.

For indoor and outdoor use.

- Scratch-resistant • Weather-resistant



PART# 75005

1/4"-20 RUBBER COATED MALE THREADED MAGNET MOUNT

Attach a wide range of objects securely without drilling holes or using adhesives, preserving the integrity of surfaces.

For indoor and outdoor use.

- Scratch-resistant • Weather-resistant



Accessories



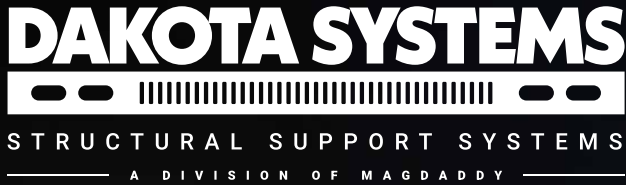
PART# 62471

MAGNETIC SWIVEL HOOK

Rotates 360° and can be used for a wide range of applications such as:

- Tool holder
- Hang jackets or towels
- Cruise ship hook
- Secure loose items in your work van
- and more





INNOVATIVE SUPPORT SYSTEM

SINGLE-LEVEL & MULTI-LEVEL
CONDUIT & PIPE HANGING SYSTEMS

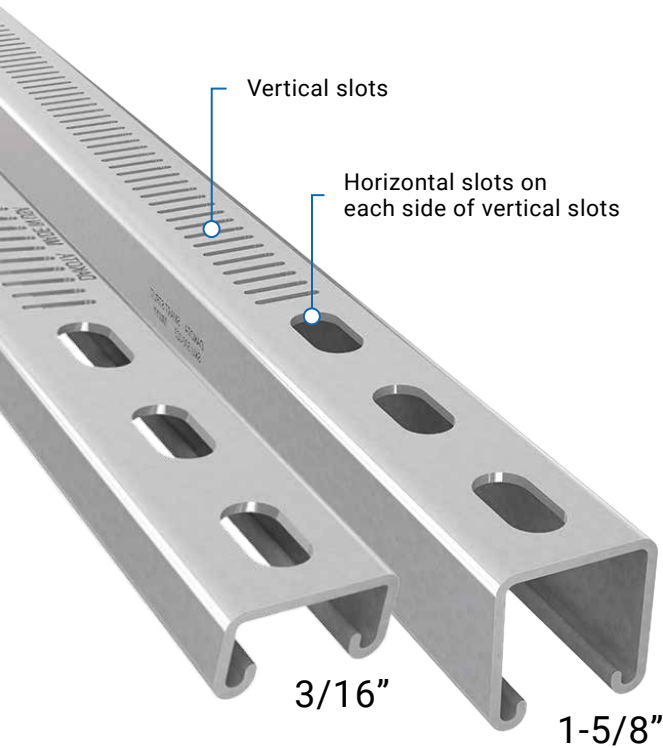


SAVE 10X ON LABOR TIME

STRUCTURAL SUPPORT



1-5/8" & 3/16" Strut Channel



SMART-STRUT™

Features & Benefits

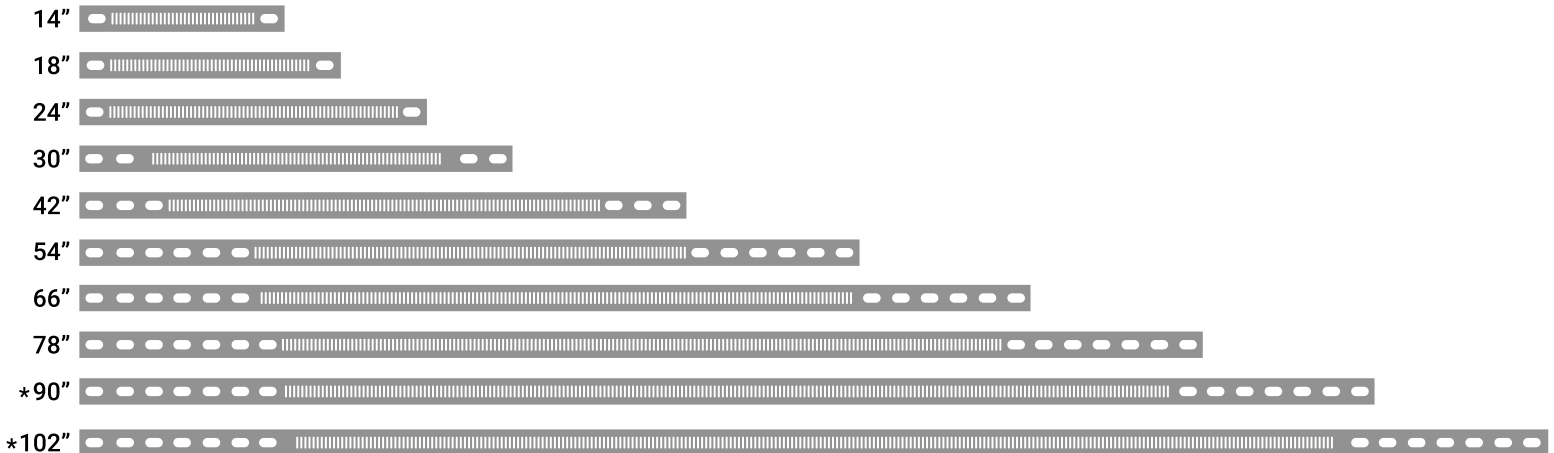
- Easily prefabricated
- Pre-cut lengths
- High-grade material
- 10x Labor saving
- Clean and organized appearance



Smart-Strut™ will save you labor time and can be quickly prefabricated, making installations faster while reducing potential risks on the job site.

PRE-CUT LENGTHS OF STRUT

[CLICK TO SEE SINGLE POINT & DISTRIBUTED LOAD DATA](#)



*Not available in 3/16" Smart-Strut™

1-5/8" Strut Channel

PART#	LENGTH	GAUGE	HEIGHT	HORIZONTAL SLOTS	VERTICAL SLOTS
DS-SS15812-14-PG	1' 2" (14")	12 GA.	1-5/8"	2	32
DS-SS15812-18-PG	1' 6" (18")			2	44
DS-SS15812-24-PG	2' 0" (24")			2	64
DS-SS15812-30-PG	2' 6" (30")			4	64
DS-SS15812-42-PG	3' 6" (42")			6	96
DS-SS15812-54-PG	4' 6" (54")			12	96
DS-SS15812-66-PG	5' 6" (66")			12	128
DS-SS15812-78-PG	6' 6" (78")			14	160
DS-SS15812-90-PG	7' 6" (90")			14	192
DS-SS15812-102-PG	8' 6" (102")			14	224

3/16" Channel Strut

PART#	LENGTH	GAUGE	HEIGHT	HORIZONTAL SLOTS	VERTICAL SLOTS
DS-SS131612-14-PG	1' 2" (14")	12 GA.	13/16"	2	32
DS-SS131612-18-PG	1' 6" (18")			2	44
DS-SS131612-24-PG	2' 0" (24")			2	64
DS-SS131612-30-PG	2' 6" (30")			4	64
DS-SS131612-42-PG	3' 6" (42")			6	96
DS-SS131612-54-PG	4' 6" (54")			12	96
DS-SS131612-66-PG	5' 6" (66")			12	128
DS-SS131612-78-PG	6' 6" (78")			14	160

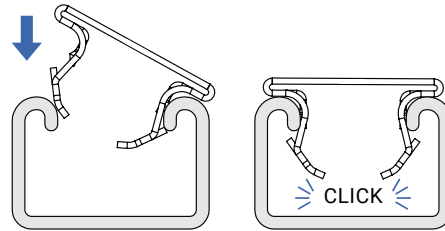
Strut Channel Receivers



SMART-RECEIVERS™

Features & Benefits

- Great for prefabrication
- Quick mounting
- Fast repositioning
- Use with 13/16" & 1-5/8" strut
- High strength yield



	PART#	DESCRIPTION	MAX LOAD	DETAILS	APPLICATIONS
	DS-TR14-BPT	1/4"-20 Dakota Threaded Receiver (w/ barbs)	200 lbs	Allows for 1/4" screw attachment to strut channel with stabilized rotation.	Perfect for mounting 1900 boxes, electrical panels, pull boxes, and disconnect boxes to strut channels.*
	DS-TR38-BPT	3/8"-16 Dakota Threaded Receiver (w/ barbs)	250 lbs	Allows for 3/8" screw attachment to strut channel with stabilized rotation.	
	DS-TR38-WPT	1/4"-20 Dakota Threaded Receiver (w/o barbs)	250 lbs	Allows for 1/4" screw attachment to strut channel.	Flat surface top for flush to surface mounting. Great for building strut frames, angle bracket mounts, strut joints, bridle rings, j-hooks and much more.*
	DS-TR14-WPT	3/8"-16 Dakota Threaded Receiver (w/o barbs)	300 lbs	Allows for 3/8" screw attachment to strut channel.	
	DS-MR-PT	Dakota Mounting Receiver	300 lbs	Non-threaded for universal mounting. Holes: 0.219"(5.5mm) x 0.281"(7.1mm) x 0.438"(11.1mm)	
	DS-SR-PT	Dakota Slotted Receiver	300 lbs	Use as one or grouped together with Dakota Smart-Clamps.	Great for quick back to back strut application.

*Not to be used to support a trapeze system

Conduit Clamps



SMART-CLAMPS™

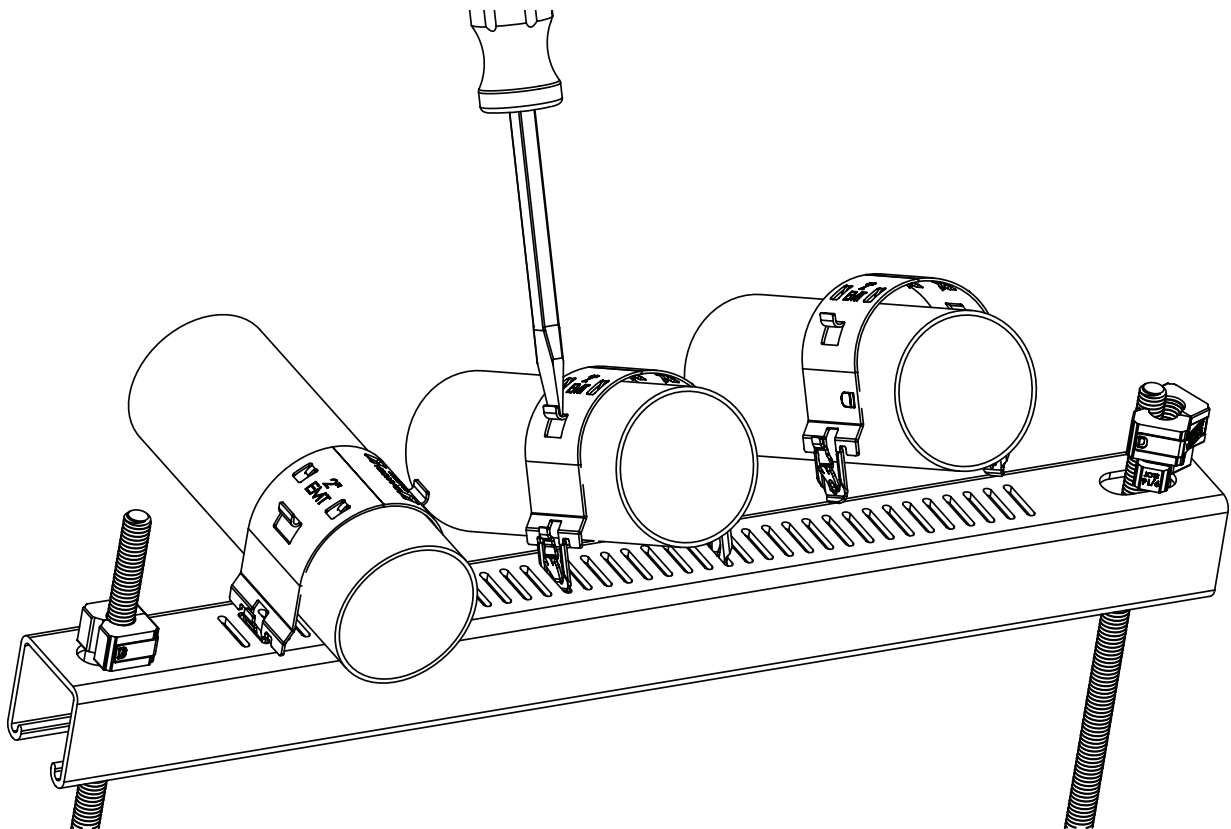
Features & Benefits

- Quickly installed & removed
- High strength yield
- No power tools required
- Clean, organized appearance



Smart-Clamps™ provide a hassle-free experience that requires no hardware, making installations faster. We offer clamps for EMT, Rigid, and IPS needs.

INSTALLATION INSTRUCTIONS



EMT SMART-CLAMPS™

PART#	DESCRIPTION	MAX LOAD RATING (3X SAFETY FACTOR)
DS-CC-12EMT-PT	½" EMT Conduit Clamp	400 lbs
DS-CC-34EMT-PT	¾" EMT Conduit Clamp	350 lbs
DS-CC-1EMT-PT	1" EMT Conduit Clamp	325 lbs
DS-CC-114EMT-PT	1 ¼" EMT Conduit Clamp	400 lbs
DS-CC-112EMT-PT	1 ½" EMT Conduit Clamp	400 lbs
DS-CC-2EMT-PT	2" EMT Conduit Clamp	400 lbs

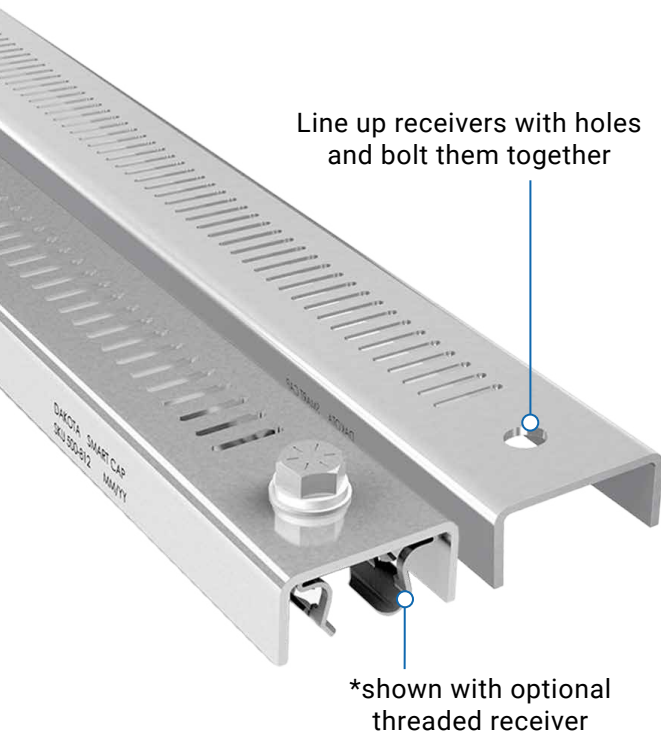
RIGID SMART-CLAMPS™

PART#	DESCRIPTION	MAX LOAD RATING (3X SAFETY FACTOR)
DS-CC-12R-PT	1/2" Rigid Conduit Clamp	400 lbs
DS-CC-34R-PT	3/4" Rigid Conduit Clamp	
DS-CC-1R-PT	1" Rigid Conduit Clamp	
DS-CC-114R-PT	1-1/4" Rigid Conduit Clamp	
DS-CC-112R-PT	1-1/2" Rigid Conduit Clamp	
DS-CC-2R-PT	2" Rigid Conduit Clamp	

RIGID IPS SMART-CLAMPS™

PART#	DESCRIPTION	MAX LOAD RATING (3X SAFETY FACTOR)
DS-PC-12IPS-PT	1/2" Rigid IPS Conduit Clamp	400 lbs
DS-PC-34IPS-PT	3/4" Rigid IPS Conduit Clamp	
DS-PC-1IPS-PT	1" Rigid IPS Conduit Clamp	
DS-PC-114IPS-PT	1-1/4" Rigid IPS Conduit Clamp	
DS-PC-112IPS-PT	1-1/2" Rigid IPS Conduit Clamp	
DS-PC-2IPS-PT	2" Rigid IPS Conduit Clamp	

Strut Channel Caps



SMART-CAPS™

Features & Benefits

- Works with standard strut
- 14" and 24" available
- Ready-to-use with Dakota Smart-Clamps™
- Double-sided top and bottom row capability
- Optional receiver available for easy installation to strut*
- Clean and organized appearance



Smart-Caps™ double the capacity of your support system with top and bottom mounting capability. This is great for multi-level conduit trapeze and H-frame supports.

PART#	DESCRIPTION	LENGTH	GAUGE	HEIGHT
DS-CAP12-14-PG	14" Dakota Smart-Cap w/o receiver	1' 2" (14")	12 GA.	13/16"
DS-CAP12-24-PG	24" Dakota Smart-Cap w/o receiver	2' (24")		
DS-CAPTR12-14-PG	14" Dakota Smart-Cap w/ threaded receiver	1' 2" (14")		
DS-CAPTR12-24-PG	24" Dakota Smart-Cap w/ threaded receiver	2' (24")		

AVAILABLE LENGTHS OF CAPS

[CLICK TO SEE DISTRIBUTED LOAD DATA & OTHER SPECS](#)



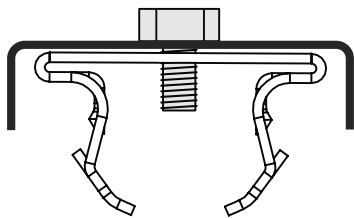
How Smart-Caps™ are utilized:



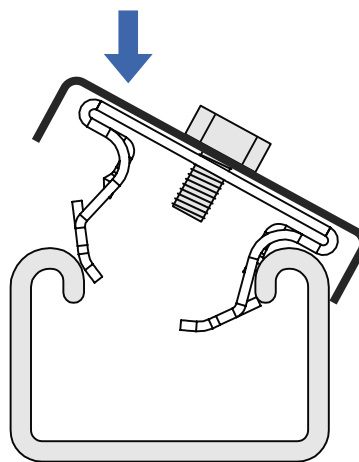
DOUBLE THE CAPACITY OF YOUR SUPPORT SYSTEM



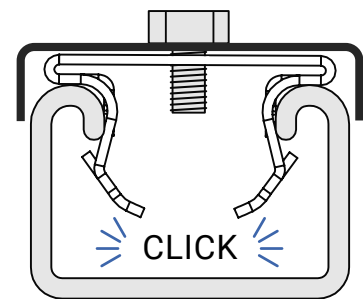
SMART-CAP™ INSTALLATION



Side view of Smart-Cap™



Place one side of locking tab into strut



Push down until you hear a click

Threaded Rod Hardware



SMART-NUT™

Features & Benefits

- No threading required
- High strength yield
- No de-burring of threaded rods required
- Simplifies multiple level trapeze installation
- To be used with 9/16" x 1-1/8" strut holes



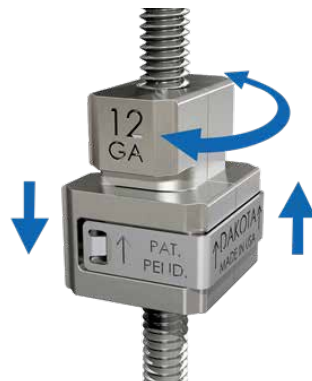
Smart-Nuts™ act as a nut and washer all-in-one, making multi-level trapeze much faster to install, allowing for efficient adjustability when aligning to your desired measurement. Saving you 10x the amount of labor.



SMART-NUT™ INSTALLATION



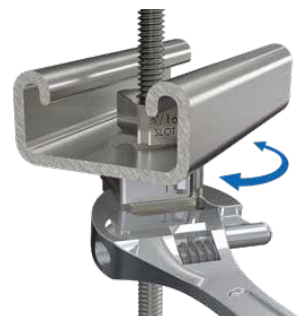
1. SNAP ONTO ROD



2. ADJUST UP OR DOWN



3. INSERT INTO STRUT

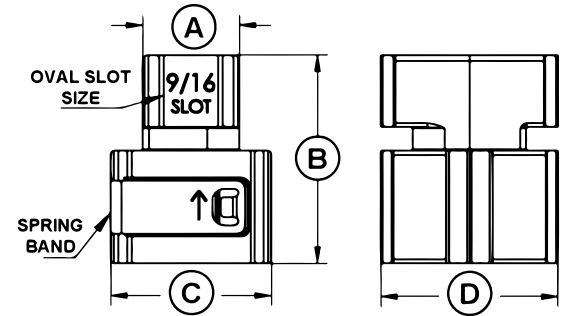


4. 1/4 TURN

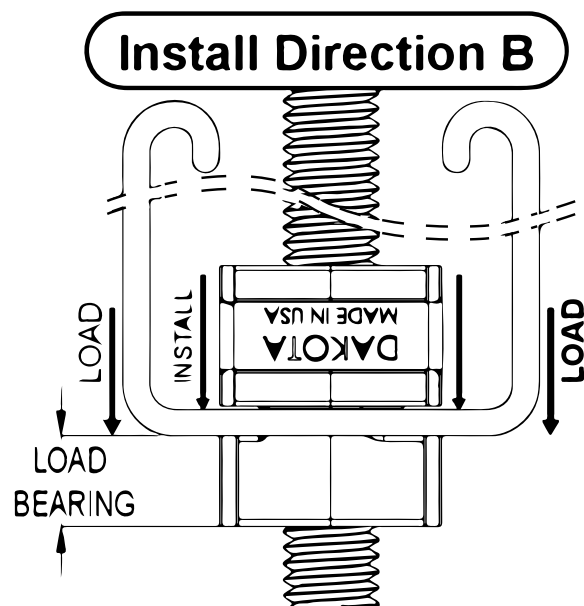
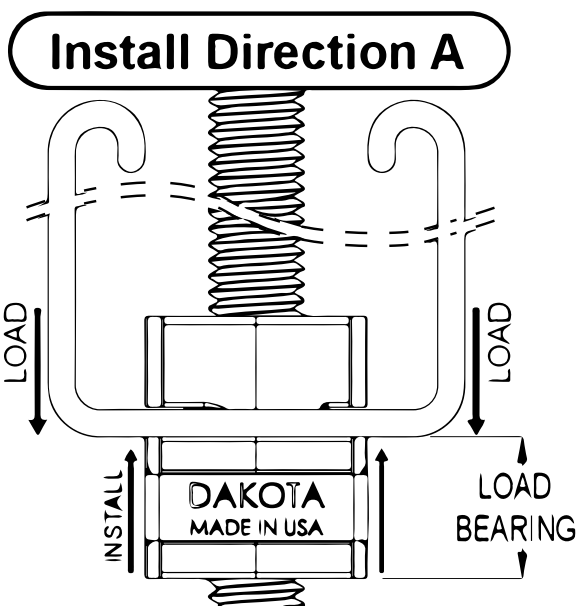
Product Details



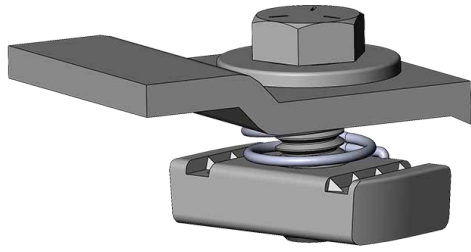
A HEAD WIDTH	B HEIGHT	C WIDTH	D LENGTH
12 mm (0.472 in)	25.92 mm (1.020 in)	20 mm (0.787 in)	22 mm (0.866 in)



PART#	GAUGE	THREAD	SPRING BAND	INSTALL A LOAD RATING 3X SAFETY FACTOR	INSTALL B LOAD RATING 3X SAFETY FACTOR
DS-NUT-12-14-EG	12	1/4"-20	GOLD	450 lbs	350 lbs
DS-NUT12-38-EG		3/8"-16		450 lbs	350 lbs
DS-NUT-14-14-EG	14	1/4"-20	SILVER	800 lbs	600 lbs
DS-NUT14-38-EG		3/8"-16		800 lbs	600 lbs



LADDER TRAY HOLD DOWN CLAMP



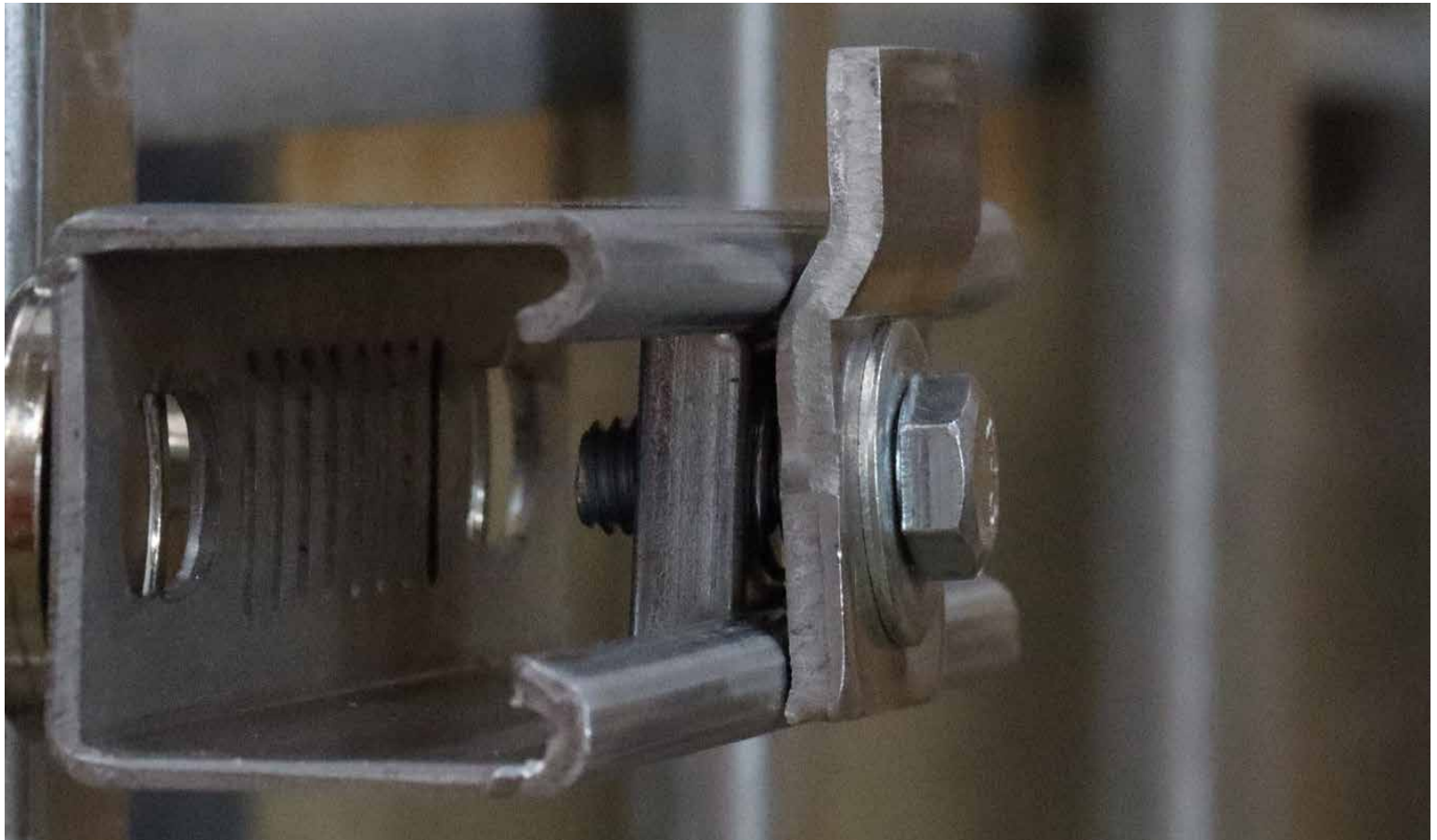
PART# DS-HDC

Features & Benefits

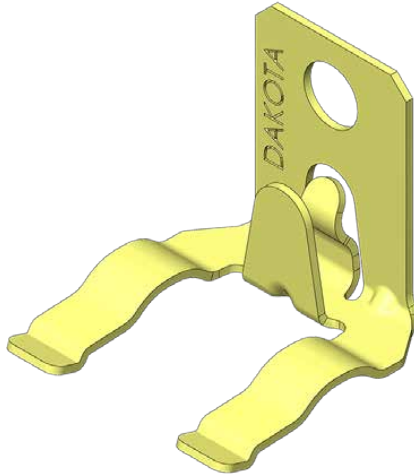
- No sliding when installing
- Fully assembled hold down clamp with upside down spring nut.
- 30% faster install time and 50% less hardware.
- Works with most standard and low profile channel strut.

The ladder tray hold down clamp comes fully assembled with an upside down spring nut.

INSTALLATION PHOTO



HANGING CLIP

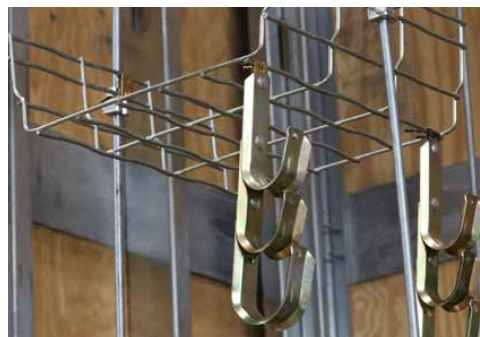
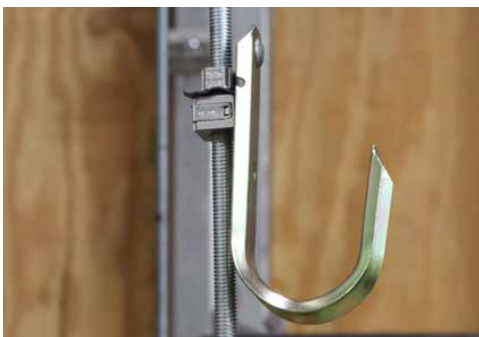


PART# DS-HC-PT

Features & Benefits

- Three-in-one clip for supporting wire tray, hanging J-hooks, and attaching bridle rings to threaded rod.
- With the use of the Smart-Nut, able to support wire tray basket to threaded rod without the need for strut.
- Easily hang J-hooks or other accessories from the wire basket with no extra features required.
- With the use of the Smart-Nut, easily attach bridle rings, or other accessories anywhere along the all-thread with ease.
- Quickly snap into place, tool free.

POSSIBLE APPLICATIONS





QUESTIONS?

Call **847-719-5600** or email sales@magdaddyusa.com
www.magdaddyusa.com | www.dakotasystemsusa.com



Our magnets are fully warranted against defects in materials, workmanship and magnetic performance with a lifetime guarantee. Exclusions apply.